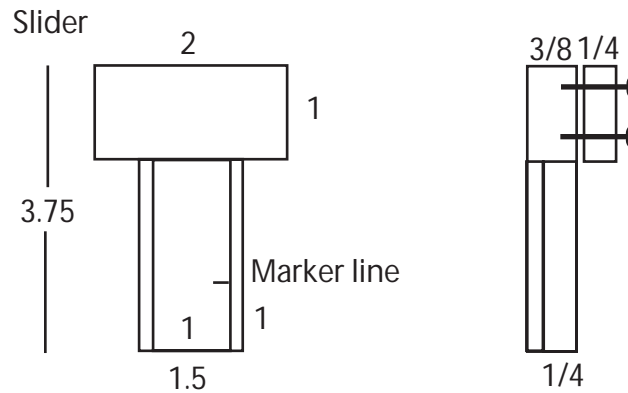
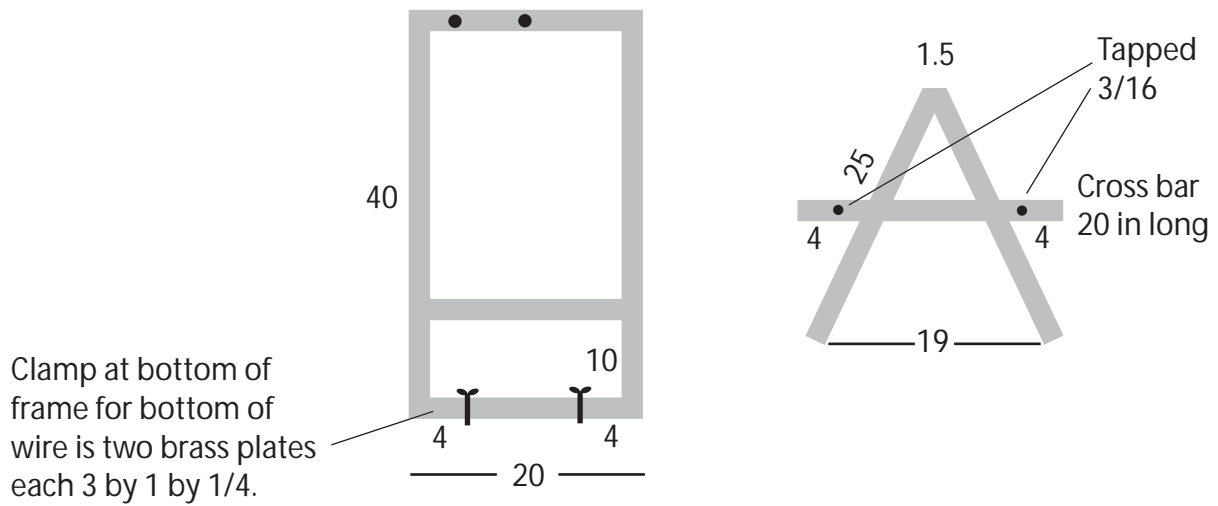


All measurements in inches

Frame and triangular base are made of 1 by 1 aluminum bar.



Bottom tapped to support 7.5 by 3/16 vertical rod, which supports circular pan with 4 in diameter. Standard weight has 1/4 slot, 3.5 diameter

Groove for slider

